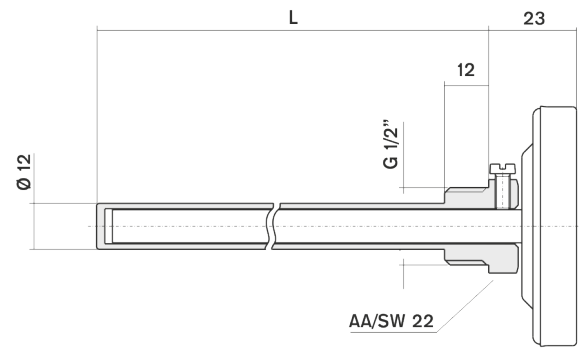
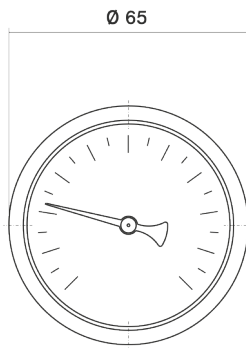


**Technical Drawings - TE 063**



- |        |         |         |         |         |         |         |         |         |          |
|--------|---------|---------|---------|---------|---------|---------|---------|---------|----------|
| L = 50 | L = 100 | L = 150 | L = 200 | L = 250 | L = 300 | L = 400 | L = 500 | L = 700 | L = 1000 |
|--------|---------|---------|---------|---------|---------|---------|---------|---------|----------|

063402 /