

# SD6000



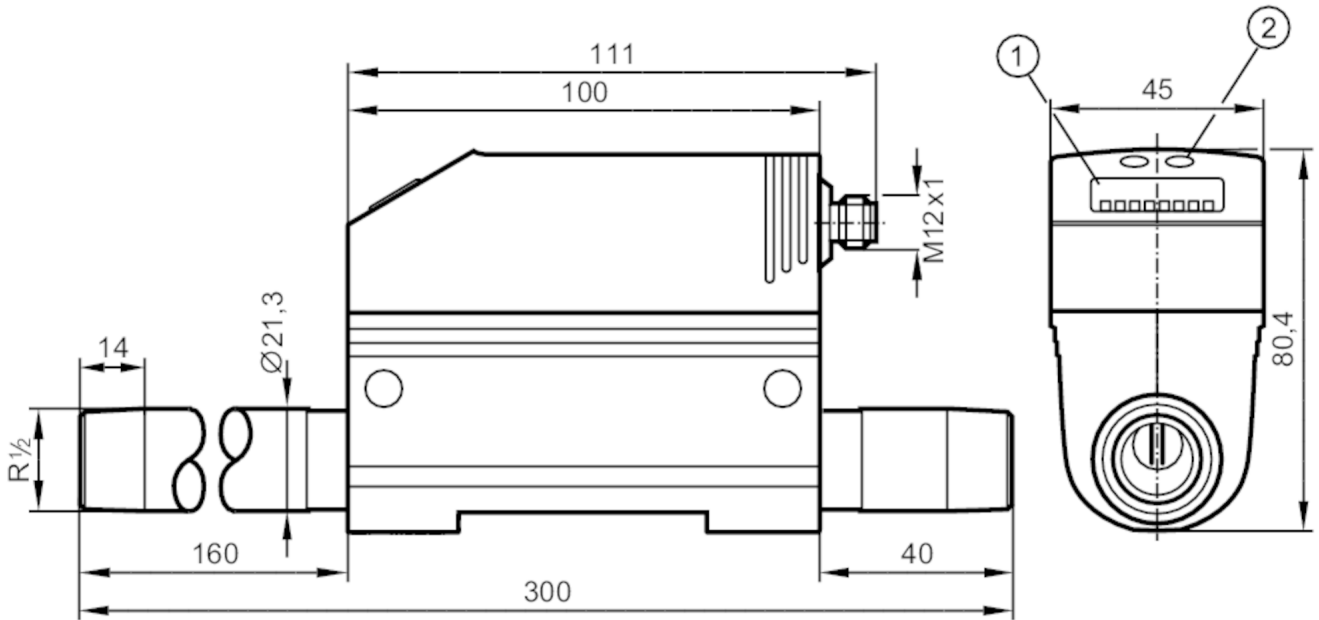
## Compressed air meter

SDR12DGXFPKG/US-100

discontinued article

Alternative articles: SD6500

When selecting an alternative article and accessories please note that technical data may differ!



- 1 alphanumeric display 4-digit
- 2 programming buttons



### Product characteristics

Number of inputs and outputs	Number of digital outputs: 2; Number of analogue outputs: 1		
Measuring range	10...1250 l/min	0.3...103.6 m/s	0.2...75 m³/h
Process connection	threaded connection R 1/2 DN15		

### Application

Application	for industrial applications
Media	compressed air
	air quality ISO 8573-1
Note on media	class 141
	class 344
Medium temperature [°C]	0...60
Pressure rating [bar]	16
Pressure rating [Mpa]	1.6
MAWP (for applications according to CRN) [bar]	16

# SD6000



## Compressed air meter

SDR12DGXFPKG/US-100

Electrical data			
Operating voltage	[V]	18...30 DC; (according to EN 50178 SELV/PELV)	
Current consumption	[mA]	< 110	
Protection class		III	
Reverse polarity protection		yes	
Power-on delay time	[s]	1	
Inputs / outputs			
Number of inputs and outputs		Number of digital outputs: 2; Number of analogue outputs: 1	
Outputs			
Total number of outputs		2	
Output signal		switching signal; analogue signal; pulse signal; IO-Link; (configurable)	
Electrical design		PNP	
Number of digital outputs		2	
Output function		normally open / normally closed; (parameterisable)	
Max. voltage drop switching output DC	[V]	2	
Permanent current rating of switching output DC	[mA]	250; (per output)	
Number of analogue outputs		1	
Analogue current output	[mA]	4...20; (scalable)	
Max. load	[Ω]	500	
Pulse output		consumed quantity meter	
Short-circuit protection		yes	
Type of short-circuit protection		pulsed	
Overload protection		yes	
Measuring/setting range			
Measuring range		10...1250 l/min	0.3...103.6 m/s
Display range		0...1500 l/min	0...124.3 m/s
Set point SP		10...1250 l/min	0.8...103.6 m/s
Reset point rP		4...1244 l/min	0.3...103.1 m/s
Analogue start point ASP		0...938 l/min	0...77.7 m/s
Analogue end point AEP		312...1250 l/min	25.9...103.6 m/s
In steps of		1 l/min	0.1 m/s
Volumetric flow quantity monitoring			
Pulse value		0.001...1000000 m <sup>3</sup>	
In steps of		0.001 m <sup>3</sup>	
Pulse length	[s]	0,02...2	
Temperature monitoring			
Measuring range	[°C]	0...60	
Display range	[°C]	-12...72	
Accuracy / deviations			
Flow monitoring			
Repeatability		± 1,5	

# SD6000



## Compressed air meter

SDR12DGXFPKG/US-100

	[% of the measured value]	
Accuracy (in the measuring range)		$\pm (3 \% \text{ MW} + 0,3 \% \text{ MEW}) / \pm (6 \% \text{ MW} + 0,6 \% \text{ MEW})$ ; (class 141 /; class 344; conditions: installation to DIN ISO 2533; installation in pipes: DN15)
<b>Temperature monitoring</b>		
Accuracy	[K]	$\pm 2$ ; (medium flow in the limit area of the flow measurement range)
<b>Response times</b>		
<b>Flow monitoring</b>		
Response time	[s]	0.1; (dAP = 0)
Damping for the switching output dAP in steps	[s]	0 - 0,2 - 0,4 - 0,6 - 0,8 - 1
<b>Software / programming</b>		
Parameter setting options		Flow monitoring; quantity meter; Preset counter; Temperature monitoring; hysteresis / window; normally open / normally closed; current/pulse output; display can be rotated and switched off; Display unit; totaliser
<b>Interfaces</b>		
Communication interface		IO-Link
Transmission type		COM2 (38,4 kBaud)
IO-Link revision		1.1
SDCI standard		IEC 61131-9 CDV
Profiles		no profile
SIO mode		yes
Required master port type		A
Process data analogue		3
Process data binary		2
Min. process cycle time	[ms]	4.1
Supported DeviceIDs	Type of operation	DeviceID
	Default	262
<b>Operating conditions</b>		
Ambient temperature	[°C]	0...60
Storage temperature	[°C]	-20...85
Max. relative air humidity	[%]	90
Protection		IP 65
<b>Tests / approvals</b>		
EMC	DIN EN 61000-6-2	
	DIN EN 61000-6-3	
CPA approval	model number	002TG
	accuracy class	-
	maximum allowable error	$\pm 4 \% \text{ FS}$
	Q (min)	0,2 m <sup>3</sup> /h
	Q (t)	-
	Q (max)	75 m <sup>3</sup> /h
Vibration resistance	DIN EN 68000-2-6	5 g (55...2000 Hz)
MTTF	[years]	227
Pressure Equipment Directive		Sound engineering practice; can be used for group 2 fluids; group 1 fluids on request

# SD6000



## Compressed air meter

SDR12DGXFPKG/US-100

Mechanical data	
Weight [g]	942.5
Materials	PBT-GF20; NBR; PC; stainless steel (1.4301 / 304); PTFE; brass coated; FKM; aluminium powder-coated
Materials (wetted parts)	stainless steel (1.4301 / 304); FKM; ceramics glass passivated; PEEK GF30; polyester; aluminium
Tightening torque [Nm]	50
Process connection	threaded connection R 1/2 DN15

Displays / operating elements		
Display	Display unit	5 x LED, green (NI/min, Nm <sup>3</sup> /h, Nm/s, Nm <sup>3</sup> , °C)
	function display	1 x LED, green
	switching status	2 x LED, yellow
	measured values	alphanumeric display, 4-digit
	programming	alphanumeric display, 4-digit

Remarks	
Remarks	MW = measured value
	MEW = Final value of the measuring range
	Measuring, display and setting ranges refer to the standard volume flow according to DIN ISO 2533.
	For information about installation and operation please see the operating instructions.
Pack quantity	1 pcs.

### Electrical connection

Connector: 1 x M12



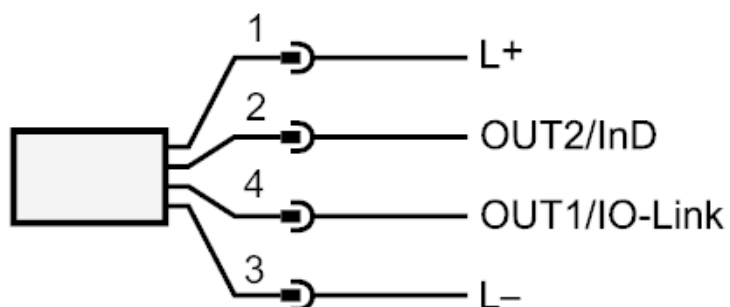
# SD6000



## Compressed air meter

SDR12DGXFPKG/US-100

### Connection



OUT1/IO-Link: switching output volumetric flow quantity monitoring

Pulse output quantity meter

signal output Preset counter

OUT2/InD: switching output volumetric flow quantity monitoring / Temperature monitoring

analogue output volumetric flow quantity monitoring / Temperature monitoring

input counter reset