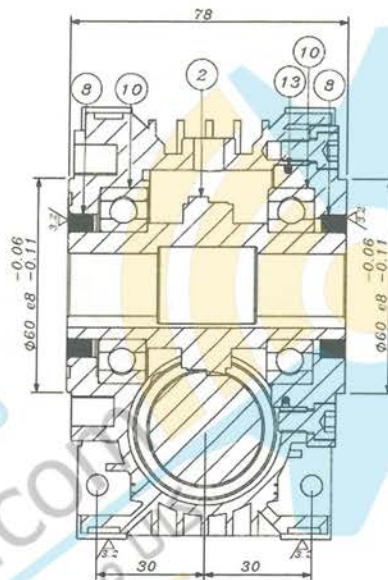
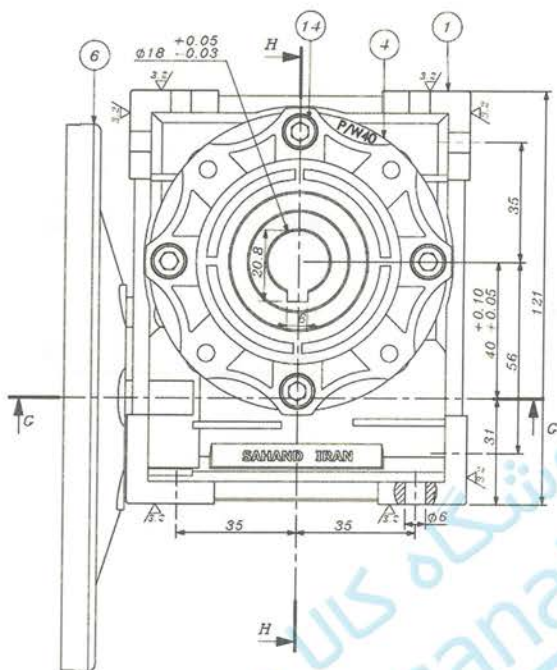
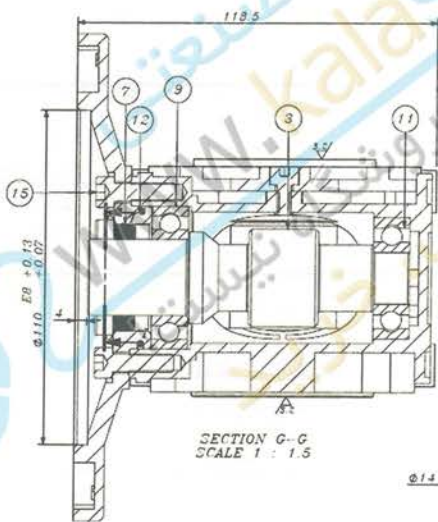


SAHAND DOUR (GEARBOX X)

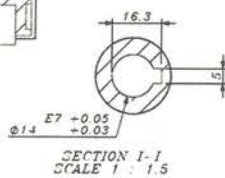
گیربکس W40 با فلنج P71 B5



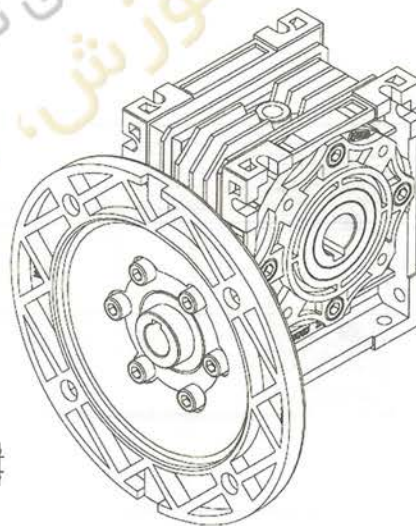
SECTION H-H
SCALE 1 : 1.5



SECTION G-G
SCALE 1 : 1.5

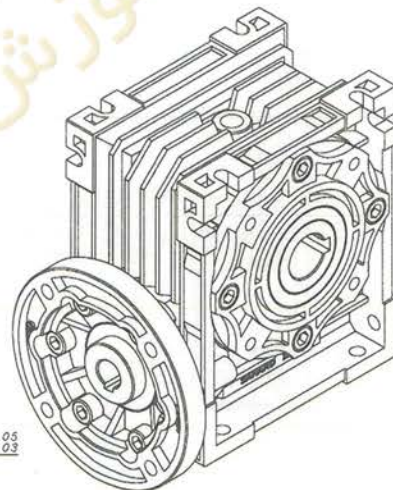
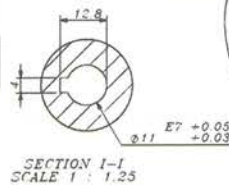
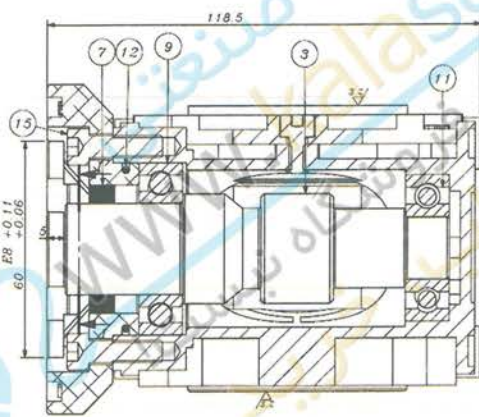
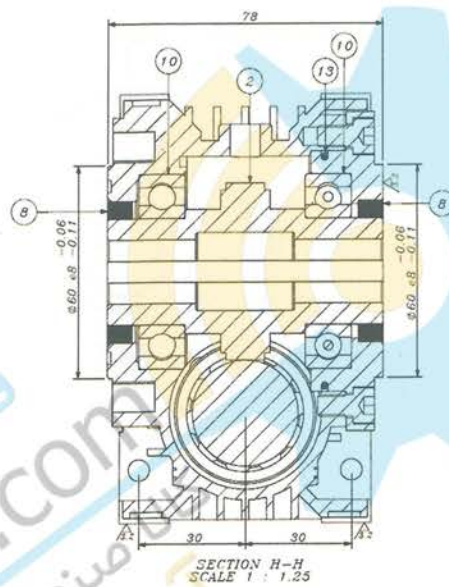
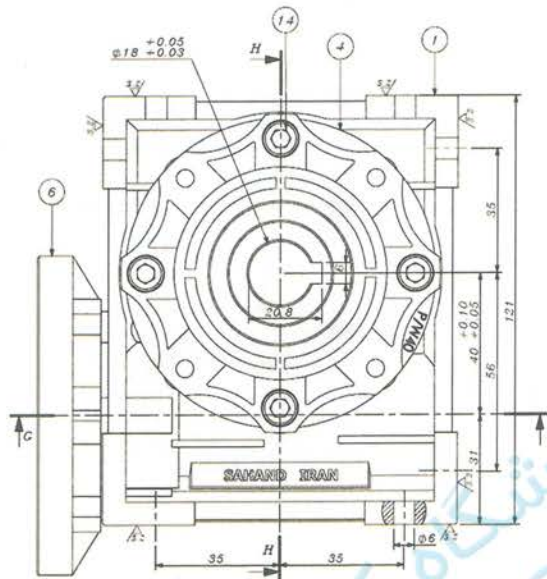


SECTION I-I
SCALE 1 : 1.5



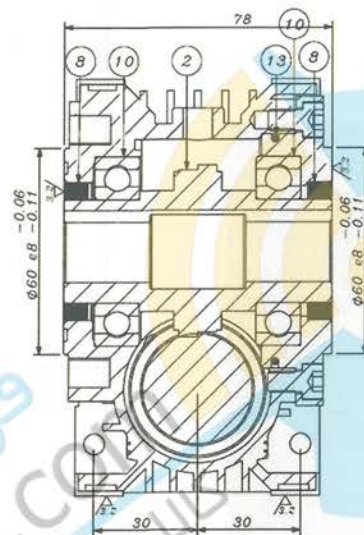
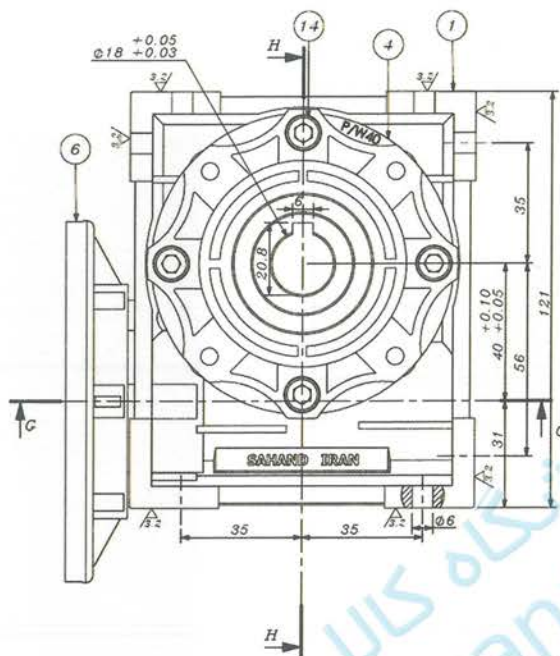
SAHAND DOUR (GEARBOX X)

گیربکس W40 با فلنج P63 B14

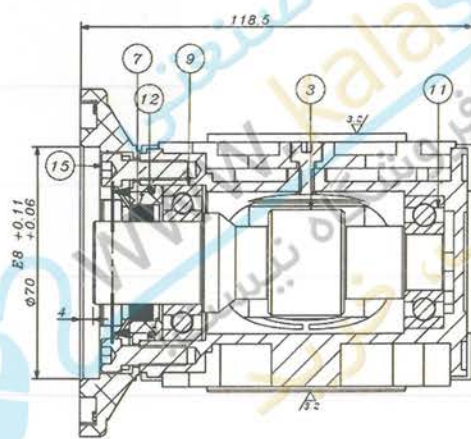


SAHAND DOUR (GEARBOX X)

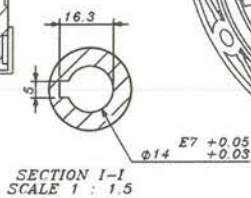
گیربکس W40 با فلنج P71 B14



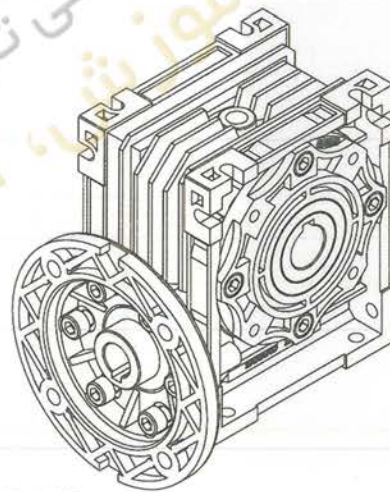
SECTION H-H
SCALE 1 : 1.5



SECTION C-C
SCALE 1 : 1.5



SECTION I-I
SCALE 1 : 1.5



SAHAND DOOR (GEARB X)

مشخصات گیربکس های حلزونی سری W40

| 1400 r.p.m W 40 | | | | |
|-----------------|-----------------|-----------------|------------------------|----------------|
| i | HP _i | KW _i | M _i danm | N _i |
| 7.5 | 1.38 | 1.01 | 4.5 | 186 |
| 10 | 1.04 | 0.76 | 4.5 | 140 |
| 15 | 0.73 | 0.54 | 4.5 | 93 |
| 20 | 0.59 | 0.41 | 4.3 | 70 |
| 25 | 0.41 | 0.3 | 3.9 | 56 |
| 30 | 0.42 | 0.31 | 4.6 | 47 |
| 40 | 0.34 | 0.25 | 4.6 | 35 |
| 48 | 0.28 | 0.21 | 4.4 | 30 |
| 60 | 0.24 | 0.17 | 4.2 | 24 |
| 70 | 0.2 | 0.15 | 3.5 | 20 |
| 80 | 0.17 | 0.12 | 3.5 | 17.5 |

| N1 900 r.p.m. W 40 | | | | |
|--------------------|-----------------|-----------------|------------------------|----------------|
| i | HP _i | KW _i | M _i danm | N _i |
| 7.5 | 0.85 | 0.63 | 3.9 | 120 |
| 10 | 0.61 | 0.45 | 3.9 | 90 |
| 15 | 0.46 | 0.34 | 3.9 | 60 |
| 20 | 0.39 | 0.29 | 4.5 | 45 |
| 25 | 0.33 | 0.24 | 4.9 | 36 |
| 30 | 0.33 | 0.24 | 4.9 | 30 |
| 40 | 0.23 | 0.17 | 4.9 | 23 |
| 48 | 0.23 | 0.17 | 4.9 | 19 |
| 60 | 0.18 | 0.13 | 4.2 | 15 |
| 70 | 0.14 | 0.1 | 3.9 | 13 |
| 80 | 0.08 | 0.06 | 3 | 11.3 |